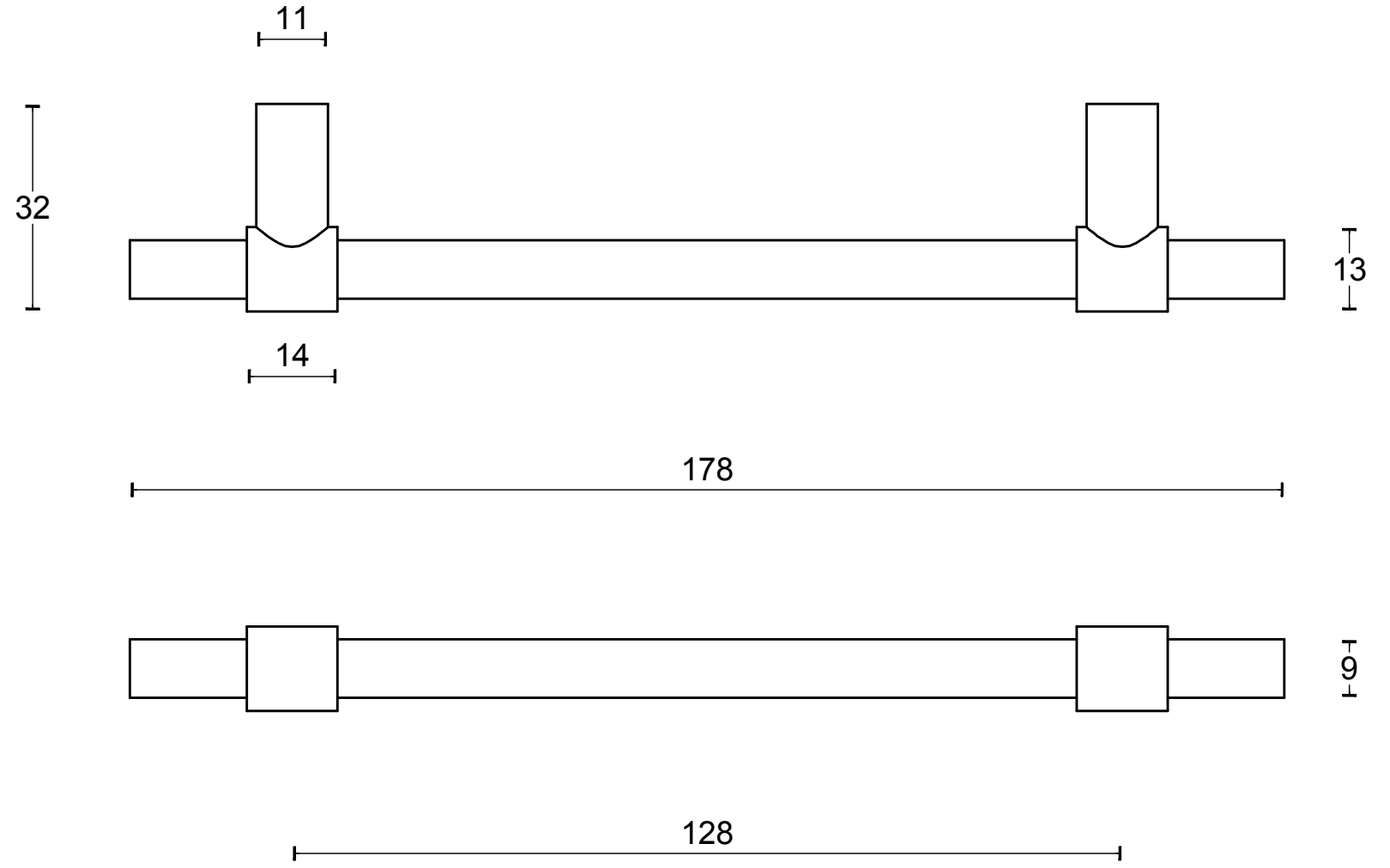
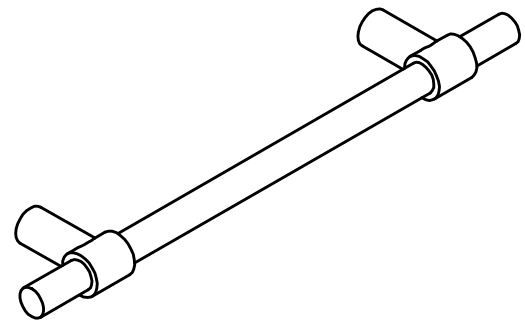
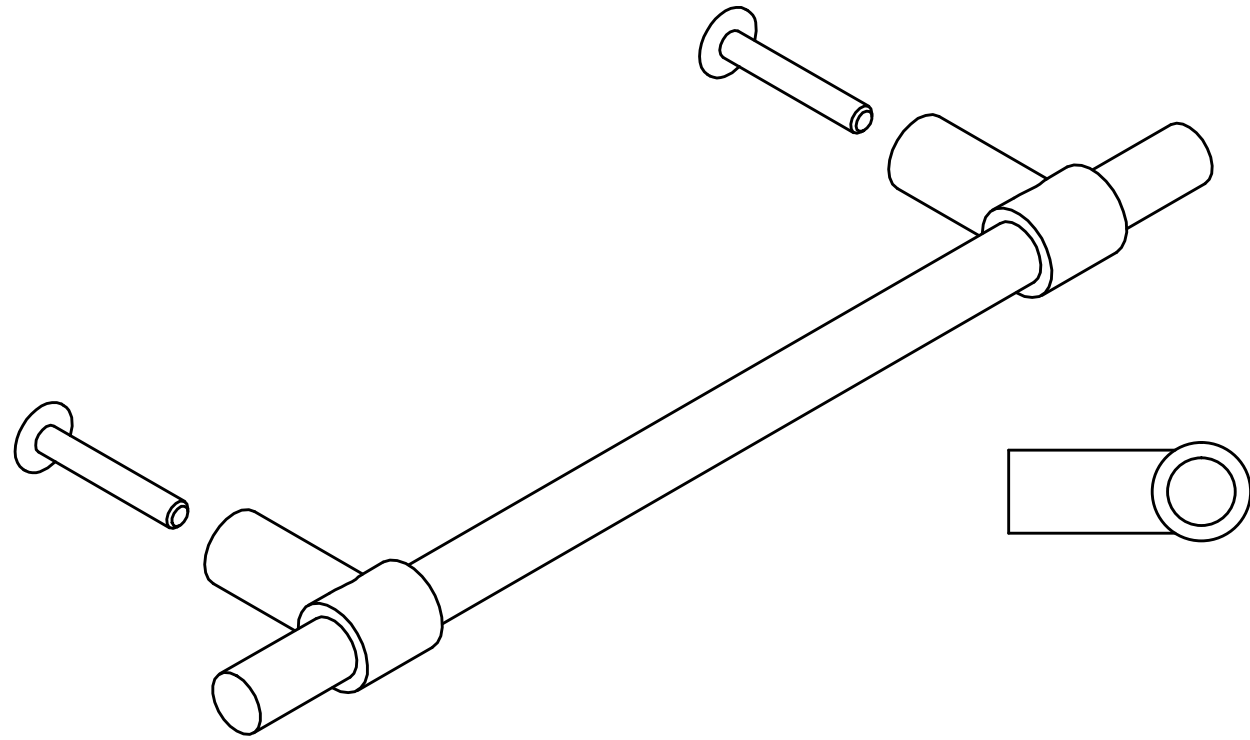


# PB195/128

solid cabinet handle  
stainless steel



<b>FORMANI</b> <sup>®</sup>		Part number:	
		Description:	
Doc no.: 2704M002 PB195-128 V01.dwg	<b>PB195/128</b>		Format:
Drawn by: Christian Brimbois   Creation date: 25-3-2013			<b>A3</b>
Formani Holland B.V. · Amerikalaan 55 · 6199 AE Maastricht Airport · tel: +31 (0)43 308 90 00 · www.formani.nl · info@formani.nl			